

OPTICAL BIOMETER

OCT OPTICAL ANALYSER OA-1000

- Auto alignment + Auto shot
- Auto detection of optical axis
- Dense cataract mode
- Automated trace analysis
- Communicates with Tomey topography and ultrasound biometer
- IOL calculation via OKULIX Ray Tracing





QUALITY IN DETAIL

> Automated optical biometry

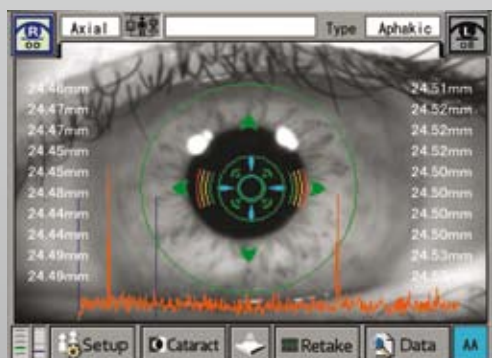
Optical biometry is now fully automated. Due to the auto alignment and auto shot function, the OA-1000 guarantees the correct alignment on the visual axis.

OA-1000 - The easiest and fastest way to measure axial length, ACD and pachymetry.

> Complete diagnostic solution

You can combine the OA-1000 with many other Tomey diagnostic instruments. Functional combinations can be:

- **OA-1000** with ultrasound biometer. With this combination you will receive measurement data in every condition of the eye. Where optical biometry reaches its limits due to dense optical media, the ultrasound biometer takes over.
- **OA-1000** with topographer TMS-4/TMS-5. To simplify IOL calculation the optical biometry is combined with high resolution topography. With the integrated Oculix Ray Tracing software and the included huge IOL database, the exact IOL power is displayed within seconds - independent of the physical (axial length) and optical (i.e. refractive surgery) conditions of the eye.
- **OA-1000** with PC. You can use the physical data measurement by OA-1000, to do the biometry calculation on a separate PC/Notebook with the optional biometry software.



Auto alignment and Auto shot makes optical biometry easy as 1-2-3.

SPECIFICATIONS

OA-1000 MEASURING MODE

Axial length measurement
Measurement area . . . 14-40 mm
Display resolution . . . 0.01 mm

Anterior chamber depth measurement
Measurement area . . . 1.5-7.0 mm
Display resolution . . . 0.01 mm

Corneal thickness measurement
Measurement area . . . 200-1200 µm
Display resolution . . . 1 µm

Main unit

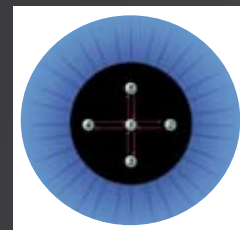
Built-in printer Built-in thermal printer
Display VGA colour TFT LCD
Dimensions WDH 307 x 493 x 466 mm
Weight approx.19 kg

Power source

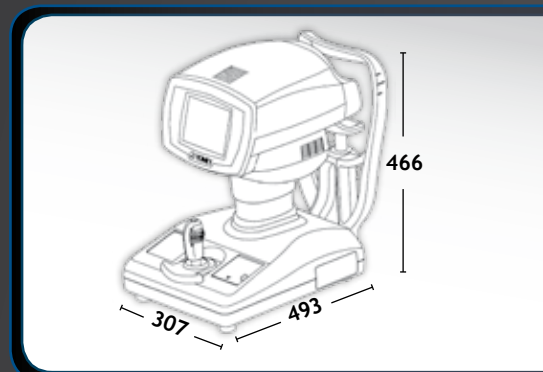
Voltage 100 V AC - 240 V AC
Frequency 50/60 Hz
Power consumption . . . 160 VA

Communication with

- Topography system TMS-4
- Scheimpflug Topographer TMS-5
- Ultrasound Biometer AL-3000



Measurement at the parafovea is automatically performed after completing alignment in Cataract mode.



TOMEY EUROPE
TOMEY GmbH
Am Weichselgarten 19a
91058 Erlangen
Germany

Phone (+49) - 9131 - 77710
Fax (+49) - 9131 - 777120
eMail: info@tomey.de

TOMEY ASIA-PACIFIC
TOMEY CORPORATION JAPAN
2-11-33 Noritakeshinmachi
Nishi-ku, Nagoya 451-0051
Japan

Phone (+81) - 52 - 581- 5327
Fax (+81) - 52 - 561- 4735
eMail: intl@tomey.co.jp

